

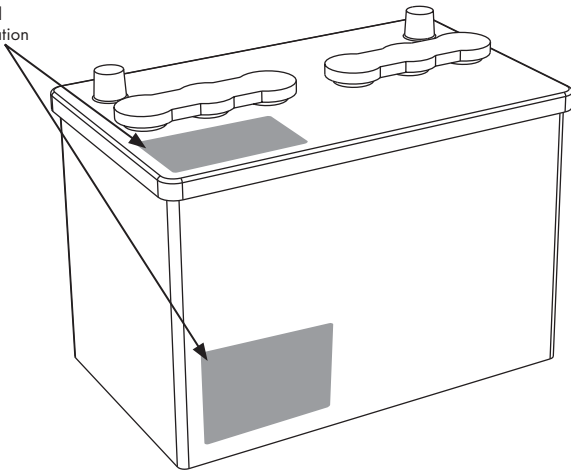
## CONGRATULATIONS

On the purchase of your new professional CTEK Battery Analyzer. The Battery Analyzer represents the latest technology in battery testing and will provide you quickly and safely with easy to understand, accurate results.

## IDENTIFYING YOUR BATTERY RATING

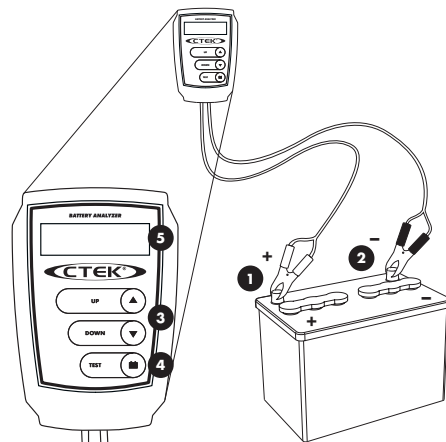
Your battery should have a label attached showing its performance rating. Use this information to set the Battery Analyzer. If not visible contact your battery supplier for guidance.

Battery label  
- typical location



## CONNECTING THE ANALYZER TO THE BATTERY

Note: Tests should only be undertaken with the vehicle engine and any electrical loads in the 'Off' position.



1. Connect the red clamp to the positive (+) terminal and the black clamp to the negative (-) terminal. The Battery Analyzer switches on when both connections are made.
2. Ensure a good connection by moving the clamps around on the terminals. The Battery Analyzer requires that both sides of each clamp be properly connected before testing can take place. A poor connection will result in the 'CHECK CONNECTION' warning. If this happens, clean the battery terminals and clamps and reconnect.
3. Following the start up screens, enter the rating of the battery you are testing\* (EN or CCA according to Battery Analyzer model) using the '▲' and '▼' buttons. The default setting is 500 EN (or 500 CCA according to model).
4. Press the TEST button and begin the battery test.
5. The result of the test is displayed on the screen.
6. If retest is required, disconnect the Battery Analyzer, reconnect it to the battery terminals, and repeat the process.

## BATTERY TEST RESULTS

### BATTERY GOOD

Return the battery to service. No action required.

### GOOD / RECHARGE

Fully charge the battery and return to service.

### CHARGE & RETEST

Fully charge the battery and retest.  
(Fully charge the battery before retesting to ensure accurate readings).

### REPLACE BATTERY

Test results indicate that the battery is failing and should be replaced.

## SPECIFICATIONS

### BATTERY VOLTAGE MEASUREMENTS

(Operating Voltage Range: 8.0 V to 15.0 V)

Minimum (V)	Maximum (V)	Resolution (V)	Accuracy (V)
8	15	0.1	±0.1

### MEASUREMENTS

Model	Range	Resolution	Accuracy
EN	200-1200 EN	25	±25
US	200-1200 CCA	25	±25

Note: Non-Automotive AGM models may read higher than actual. Readings will be consistent between like models.

## BATTERY RATING COMPARISON TABLE

Use this table to compare your reading with other popular battery standards. See battery label for details or contact your battery supplier for guidance.

SAE/CCA	EN	EN2	IEC	DIN
200	180	175	130	110
250	230	220	160	140
300	280	265	195	170
350	330	310	225	200
400	360	350	260	225
450	420	400	290	255
500	480	440	325	280
550	520	485	355	310
600	540	530	390	335
650	600	570	420	365
700	640	615	450	395
750	680	660	485	420
800	760	705	515	450
850	790	750	550	480
900	860	790	580	505
950	900	835	615	535
1000	940	880	645	560
1050	1000	925	680	590
1100	1040	970	710	620
1150	1080	1010	745	645
1200	1150	1055	775	675

## **SAFETY**

Check the battery for any signs of damage. If not a maintenance free battery, and the electrolyte level is low, top it up and fully charge the battery. Always take suitable safety precautions when working with batteries to avoid serious injury or death.

## **MAINTENANCE INSTRUCTIONS**

The CTEK Battery Analyzer is maintenance-free. The unit must not be opened; doing so will invalidate the warranty. The casing can be cleaned using a damp cloth and mild cleaning agent.

## **LIMITED WARRANTY**

CTEK SWEDEN AB issues this warranty to the original purchaser of this product. This limited warranty is not transferable. The warranty applies to manufacturing faults and material defects for 2 years from the date of purchase. The customer must return the product together with the receipt of purchase to the point of purchase. This warranty is void if the Analyzer has been opened, handled carelessly or repaired by anyone other than CTEK Sweden AB or its authorised representatives. CTEK Sweden AB makes no warranty other than this limited warranty and is not liable for any other costs other than those mentioned above, i.e. no consequential damages. Moreover, CTEK Sweden AB is not obligated to any other warranty other than this warranty.

## **SUPPORT**

CTEK offers a professional customer support: [www.ctek.com](http://www.ctek.com).  
For latest revised user manual see [www.ctek.com](http://www.ctek.com).

### **NORTH AMERICA**

By e-mail: [info@ctek.se](mailto:info@ctek.se), by telephone: (330) 963-0981, by fax: (330) 963-0982.

### **EUROPE & REST OF WORLD**

By e-mail: [info@ctek.se](mailto:info@ctek.se), by telephone: +46(0) 225 351 80, by fax +46(0) 225 351 95.